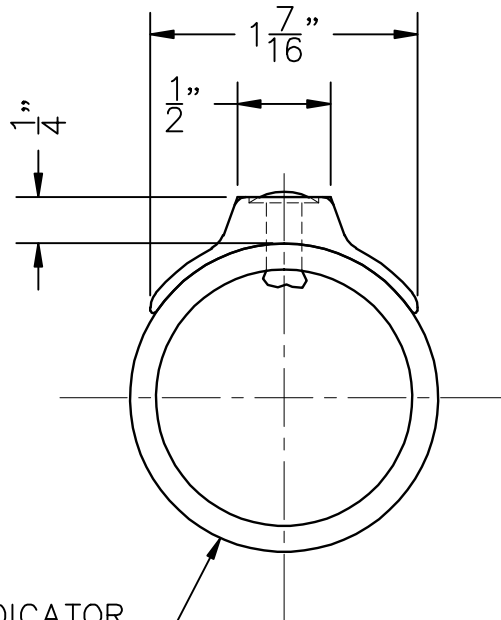
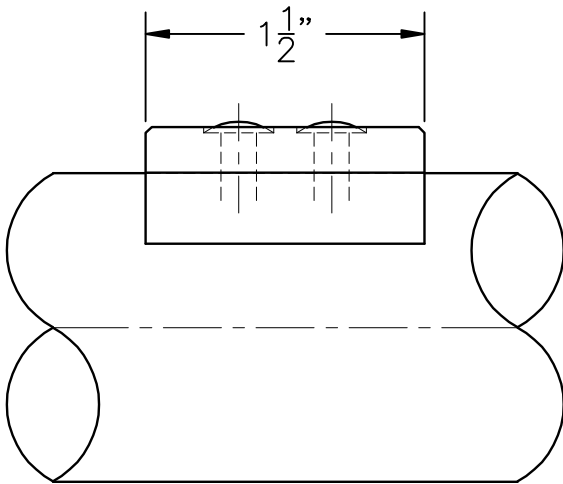
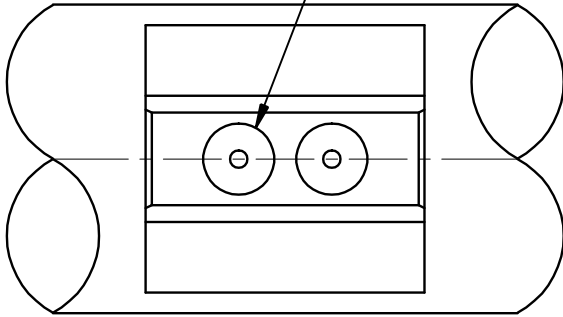


AD-68 BS POP
RIVETS (2/LUG).



1 1/4" SKATERADICATOR
FITS 1 1/4" Sch.10, 40 OR
80 PIPE (1.66" o.d.)



American Railing Systems, Inc.
1813 McCLELLAND AVENUE
ERIE, PA 16510
PHONE: (814) 899-7677 WEBSITE: WWW.AMERICANRAILING.COM
FAX: (814) 899-0743 EMAIL: ARS@AMERICANRAILING.COM

TITLE: 1 1/4" SKATERADICATOR

JOB NAME:

CUSTOMER:

RAIL STYLE: 1 1/4" PIPE RAIL

FINISH: CLEAR OR COLOR ANODIZED

DATE: 3-7-08 SCALE: FULL

JOB #: DWG #: 1.25 SERAD